

# Get On Gas

Bottled gas supply



[www.ongas.co.nz](http://www.ongas.co.nz)

More and more people are discovering the joys and simplicity of living with gas. Why? Gas is a clean, convenient energy source. Whether it's for endless hot showers, cooking the perfect meal, heating your home or enhancing your outdoor lifestyle, On Gas is always ready when you are, for as long as you want it.

**Gas puts you in control.** Whenever you want it, all it takes to command the power of gas is the flick of a switch or the press of a button.

**Gas is economical.** Gas is more efficient than many other energy fuels. Also, gas appliances are usually cheaper to operate and maintain in the long term.

**Gas is clean.** Gas is an environmentally friendly fuel. Of all the fossil fuels available, gas creates the least greenhouse gas emissions and so contributes to the improvement of New Zealand's energy efficiency.

**Gas is safe.** The built-in safety features of today's modern appliances and advances in technology ensure that gas is a safe energy option, whether piped or supplied in bottles. On Gas bottles are regularly maintained and always checked for defects when being refilled. There are strict regulations governing the handling and storage of LPG bottles.

**Gas is here to stay.** Gas remains plentiful in New Zealand, and is a long term energy source for heating our homes, cooking our dinners and providing endless hot water. Gas and LPG importation options are available to supplement local production if required.



## Why home heating is easier On Gas.

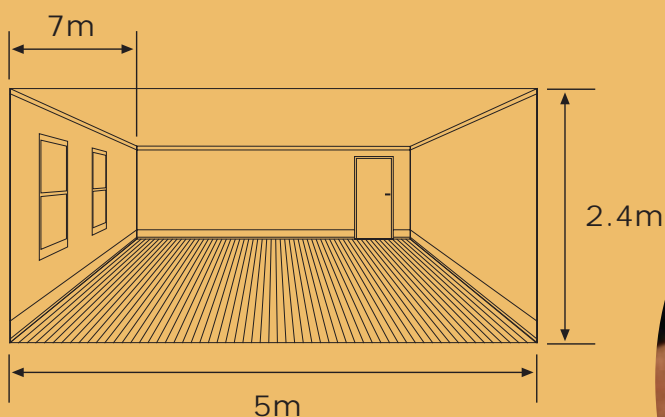
Who wouldn't like a home that's snug and cosy even on the coldest winter nights? On Gas enables you to heat your home quickly and efficiently and in a way that's much kinder to the environment than many other forms of heating.

Fully programmable gas central heating systems give you complete control over the temperature of your home, and you never have to walk out of a warm room into a cold one. Gas heaters offer an affordable alternative in a range of colours and styles including modern flame effect fires as well as more traditional models. Flued heaters have an outlet to release combustion products into the outside air, and are recommended as the best solution for your main heating needs. Flueless heaters are also available for smaller rooms.

### Sizing the right heater for you

Follow this simple formula to calculate the best size heater for your room:

Let's say the room is **7 metres** long x **5 metres** wide x **2.4 metres** high.



Multiplying these dimensions shows the room's total volume ( $7 \times 5 \times 2.4$ ) is **84m<sup>3</sup>**.

Multiply **84** x **0.05** = **4.2** (Always use **0.05**)

This figure shows that under normal circumstances, you'll need a gas heater with a kilowatt rating of **4.2 kW** for the room.

### Heating appliances

- Gas heating is clean, efficient and easy to use.
- Enjoy instant warmth without the hassles of chopping and storing firewood or coal.
- In-built fires can be fitted into existing fireplaces.
- Freestanding gas fires can be installed nearly anywhere, no hearth required.
- Wide range of modern appliances available to compliment your décor.

Get On Gas and get all the warmth and cosiness you'll ever need without the smoke and mess of an open fire or the expense of some alternative heating methods.



## Why bath time is easier On Gas.

Unlimited hot water any time of the day or night – that's the beauty of bath times with On Gas. You'll also be able to power through mountains of washing and still have an endless hot water supply for showers and baths, no matter how large your family or how many friends and relatives come to stay.

**A mains water pressure system** should be considered when having gas installed.

- Increased pressure reduces the effect of a change in temperature if a tap is turned on elsewhere in the house while you're in the shower.
- Baths, washing machines and dishwashers fill quicker, reducing your waiting time.
- Everyone in the house can enjoy strong, hot showers.

### With gas you can choose between two basic types of water heater

#### **A continuous flow gas hot water system**

- Reliable – never run out of hot water, as the water is heated as it flows to the tap.
- Economical – only uses gas when your hot water tap is turned on.
- Space saving – no cylinder means extra storage or other space options in your home.
- Precise – setting the water temperature means risk of burns is reduced.

#### **A gas hot water storage cylinder**

- Flexibility with positioning – can be installed inside or outside your home.
- Responsive and time saving – most gas cylinders will heat your water from cold in less than an hour.
- Numerous size options – choose the best model to suit your home.
- No electricity required – power cuts won't affect your hot water supply.

Heating your water with On Gas means you will have endless hot water for all your home needs, including a luxurious spa, hot tub or pool. You need never run out of hot water again.



## Why home cooking is easier On Gas.

If you love cooking, you'll love cooking On Gas. With the vast array of designer-styled cooking appliances and the instant heat and precise control that gas delivers, it's easy to see why gas is the choice of chefs and home designers alike.

### Cooking appliances

- Ultimate cooking control – cook your food exactly the way you like it.
- Succulent results – water vapour produced by gas keeps food moist.
- Many styles and configurations – find the one that suits your layout and style of cooking.

### Barbeques

- A huge range of models are available – choose one that suits your cooking style.
- Fixed models available – you can connect these to piped gas or a large bottled gas supply so you never have to worry about the gas running out at a crucial time.

If you're building or renovating a home, then upgrading to gas gives you the perfect opportunity to create a modern, designer kitchen with sleek appliances that make the most of the beauty of cooking On Gas.



# Bottled gas

## How does it work?

If your home is accessible for deliveries and within our delivery range, On Gas can arrange for a bottled connection. This is a great option for homes not on the natural gas network, or in a difficult access area (ie rocky areas). The advantage of bottled gas is that you pay only for the gas you use so think of bottled gas as your own private gas supply.

A typical installation consists of two 45kg cylinders which are mounted to the outside of your home, and supply LPG to the property. Once the first cylinder of gas has been used, the regulator will automatically change over to the second cylinder to ensure you do not run out of gas. A regulator is supplied as part of the system installed by the gasfitter. This indicates whether a cylinder has become empty, and just requires a quick check and a call to our service centre for a refill delivery. We will arrange for the empty cylinder to be removed and replaced with a full one.

### 4 simple steps to getting bottled gas

**1. Call 0800 84 12 12.** Nearly every home can benefit from On Gas but we need to ensure your home is accessible for deliveries, and within our delivery range. We can arrange a free site visit if necessary.

**2. Choose your appliances.** A great range of gas appliances are available from an approved On Gas appliance retailer, and we can put you in touch with one who can give advice on what is right for you.

**3. Set up your account.** Your On Gas representative will gather all your billing details and send you a welcome pack.

**4. Installation of appliances and cylinders.** We can put you in touch with a certified gasfitter who will install and run pipes from the cylinder station to the various points around your home and install the appliances.

On Gas then delivers and connects the cylinders to your cylinder station.

**The gas is On!** Your gasfitter will turn on the gas and ensure the installation is safe and meets all industry codes and standards. It is a legal requirement that a "Gasfitting Certification Certificate" is issued to you by your gasfitter on completion.



## Average consumption

As a guide, we have supplied some gas usage figures based on the number of people in a household. Actual consumption will be subject to other factors, such as thermostat controls, how often and at what temperature appliances are used.

<b>Application</b>	<b>Number in household</b>	<b>Average refills annually</b>
Home heating only	N/A	6-9
Water heating only	2	4-6
	4	6-9
	6	9-12



## See the difference in your bills

Gas is the economical choice. You'll enjoy the benefits of longer showers, warmer rooms and instantly responsive cooking, yet you may still save money on your energy bills.

This is because gas is more efficient than other energy fuels. Also, gas appliances are usually cheaper to operate and maintain in the long term.

## To get On Gas

0800 84 12 12

### About On Gas

On Gas is the gas brand for Vector Limited. Vector is New Zealand's leading multi-network infrastructure company. Our group owns and manages a range of energy, technology and service businesses and assets which touch more than one million New Zealand homes and businesses. You can find out more about Vector at [www.vector.co.nz](http://www.vector.co.nz)

On Gas is a future proof product. Here's why:



#### Resource Responsibility

Gas is the environmentally friendly fuel. Of all the fossil fuels available, gas creates the least greenhouse gas emissions. It is highly flammable, burns almost completely and is considered a clean fuel as it does not produce any ash, dust or smoke. When gas burns efficiently in the air, it produces energy, water vapour and carbon dioxide. Environmental concerns are also addressed in the design of modern gas appliances which feature sophisticated burner systems, and produce fewer emissions.



#### Energy Efficiency

Gas is nearly three times more efficient when used as a direct fuel rather than as a source of fuel to generate electricity, contributing to the improvement of New Zealand's energy efficiency. An example of the efficiency of using natural gas as a direct energy source is the difference in gas consumption to boil water using an electric kettle powered by a gas fired generator compared to a kettle on a gas hob.



#### Health and Safety

Gas is very safe. The built-in safety features of today's modern appliances and advances in technology ensure that gas is a safe energy option, whether piped or supplied in bottles. A smell has been added to the gas supply for easy detection if a leak occurs. There are certain restrictions which determine where bottles can be placed on the outside of a home, and room size restrictions on whether appliances need to be flued.



#### Space Management

Modern gas appliances are sleek and contemporary, allowing more open space in living areas. Continuous flow water heaters can be placed on the outside of the home so there is no need for an indoor water cylinder taking up valuable space. This can be used for extra storage or other space requirements.



[www.ongas.co.nz](http://www.ongas.co.nz)